

BLAGDON

B06

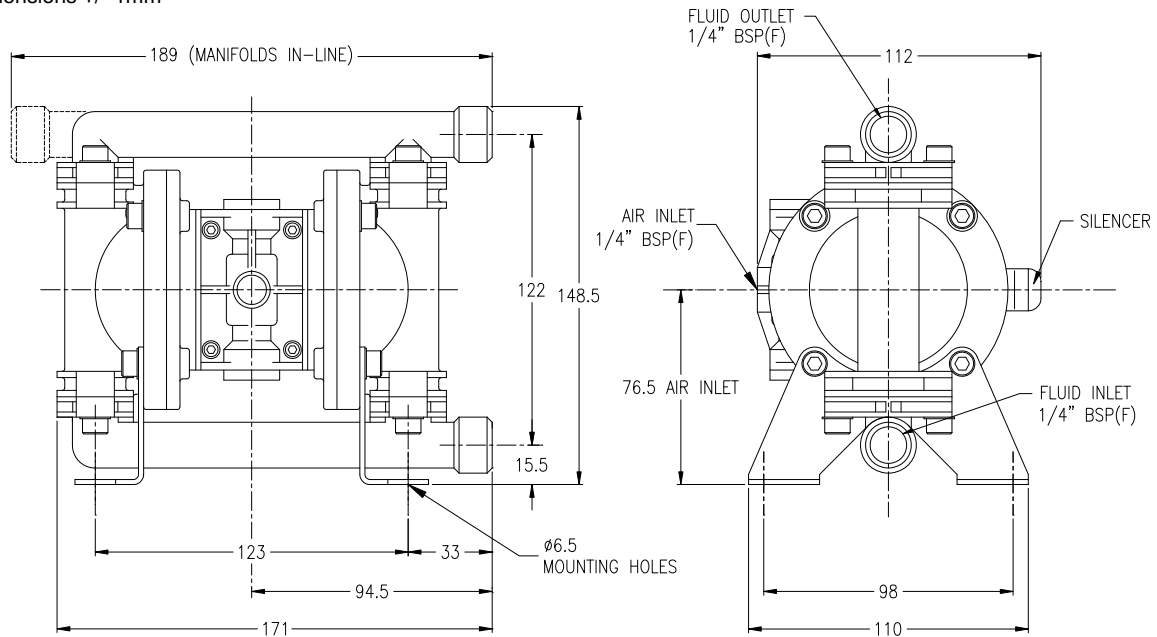
AIR OPERATED DOUBLE DIAPHRAGM PUMP

Metallic Series

B06

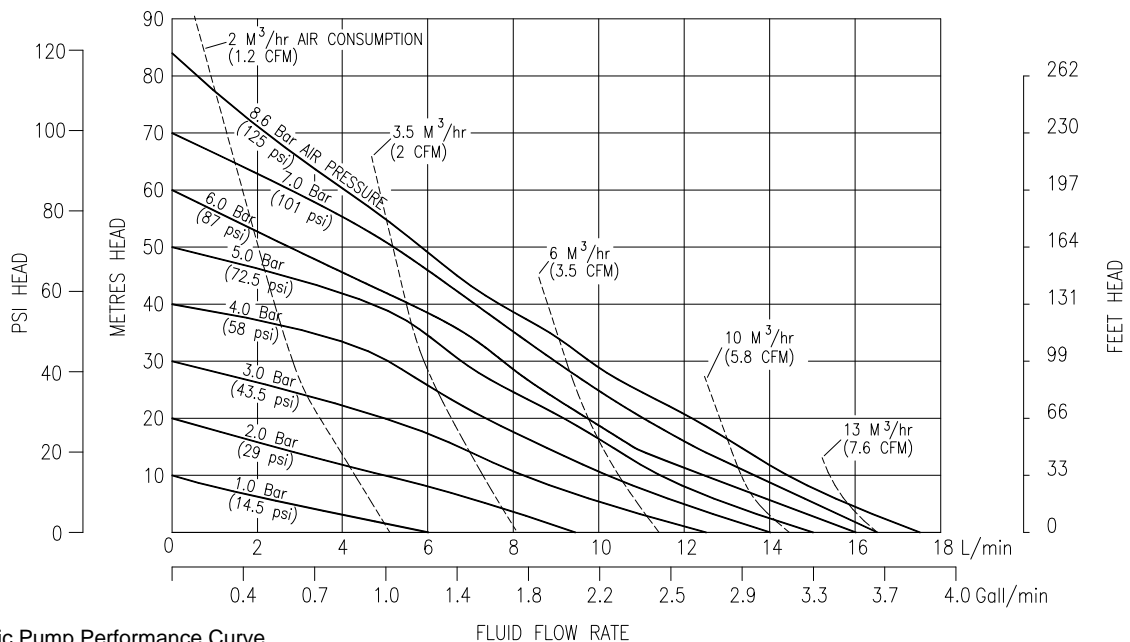
DIMENSIONS

General Assembly :- B06 Metallic Pump
All dimensions +/- 1mm



B06

PERFORMANCE



B06 Metallic Pump Performance Curve
Performance based on water at ambient temperature

FLUID CONNECTIONS 1/4" BSP(F)	CAPACITY 0 - 18 Litres/Minute (0 - 3.9 Gallons/Minute)	MAX SOLIDS 1 MM (1/16")	MAX DISCHARGE HEAD 88 Meters (289 ft)	DISPLACEMENT/STROKE 0.022 Litres (0.0049 UK Gallons)
MAX. WORKING PRESSURE 8.6 Bar (125 psi)	AIR INLET 1/4" BSP (F)	TEMPERATURE LIMITS Determined by Elastomers		PUMP WEIGHTS :- SS :- 4.0 Kg

ⓘ Caution - Operating temperature limitations are as follows:

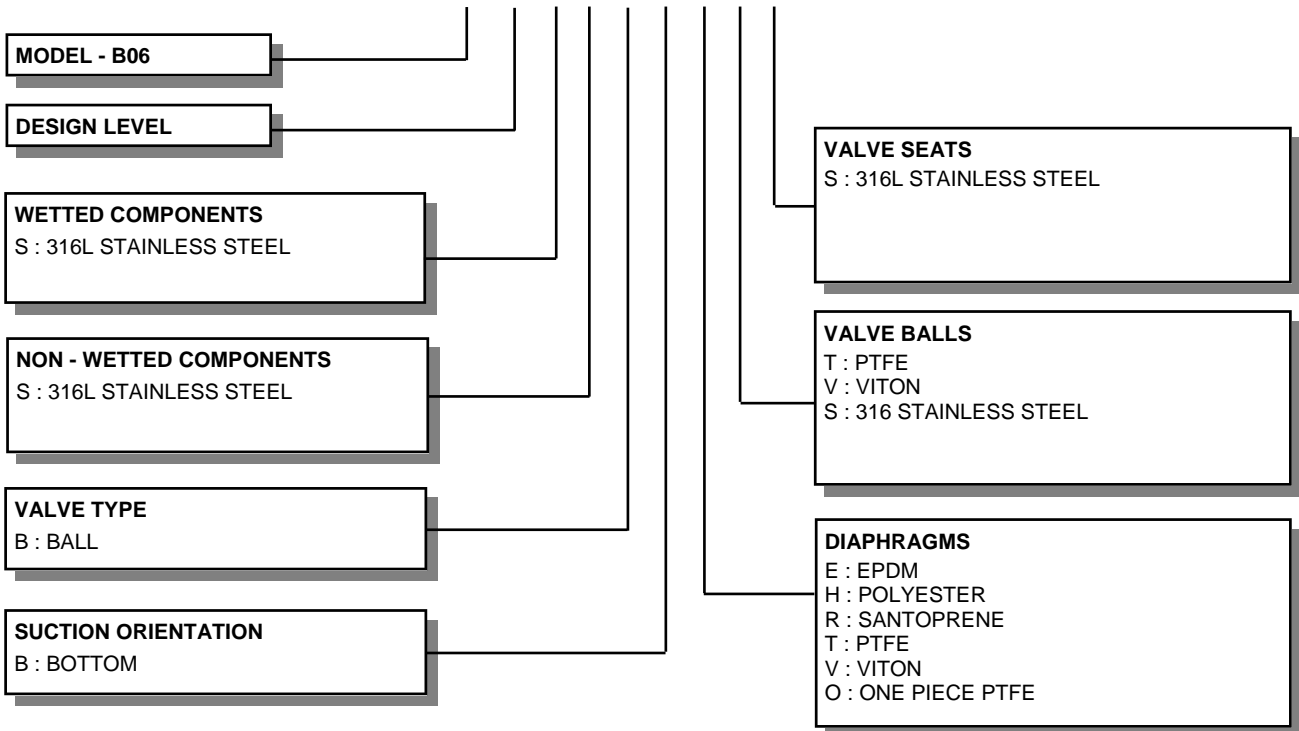
Operating Temperatures

Materials

Maximum Minimum Optimum

EPDM - Shows very good water and chemical resistance. Has poor resistance to oils and solvents, but is fair on ketones and alcohols.	212°F 100°C	-11°F -24°C	50° to 212°F 10° to 100°C
Santoprene® - Injection moulded thermoplastic elastomer with no fabric layer. Long mechanical flex life. Excellent abrasion resistance.	212°F 100°C	-10°F -23°C	50° to 212°F 10° to 100°C
PTFE - Chemically inert, virtually impervious. Very few chemicals are known to react chemically with PTFE : molten alkali metals, turbulent liquid or gaseous fluorine and a few fluoro-chemicals such as chlorine trifluoride or oxygen difluoride which readily liberate free fluorine at elevated temperatures.	356°F 180°C	32°F 0°C	50° to 212°F 10° to 100°C
Viton® - Shows good resistance to a wide range of oils and solvents : especially all aliphatic, aromatic and halogenated hydrocarbons, acids, animal and vegetable oils.	356°F 180°C	0°F -18°C	75° to 212°F 24° to 100°C

TYPICAL CODE = B06.04.S S. B B. E T S



IMPORTANT

This pump should be used in accordance with the requirements of the Safety, Health & Welfare at Work Act 2005. All business conducted subject to IDEX Pump Technologies, Ireland. Terms and Conditions of Sale, available on request.



Distributed in the UK by **PUMP ENGINEERING LTD**
 Unit B1, Riverside Industrial Estate
 Littlehampton, West Sussex, BN17 5DF, England
 Tel: +44 (0)1903 730900 Fax: +44 (0)1903 730234
 Email: sales@pumpeng.co.uk Web: www.pumpeng.co.uk