

## Air-Operated Piston Pumps

### Standard design

Available in four different series

### PA Hygienic series

Wetted parts in mirror finish AISI 304 (only for PA 140) or 316 stainless steel in both, short or long versions. Pump components are assembled with quick-release clamps for quick and easy strip cleaning.

Connections: DIN - SMS - IDF - BS / RJT - DS - CLAMP.

### PA Industrial series

Wetted parts in AISI 316 stainless steel. Short or long versions. Pump components are screwed together.

Connections: GAS thread/BSP.

### PAR Light duty industrial series

Wetted parts stainless steel in AISI 304, 316 or galvanized steel. Pump components are screwed together. Very cost effective. Connections: GAS thread/BSP.

### PA.AP High pressure industrial series

Wetted parts in AISI 304 stainless steel, with material thicknesses to suit the high pressure capabilities of these pumps..

Pump components screwed together or secured by flanges and tie rods.

Connections: GAS thread/BSP.

### Elastomers (certified to FDA):

Nitrile NBR

Fluorocarbon (Viton)

P.T.F.E. (FEP)

Algoflon

### Applications

Air-operated piston pumps are available in various versions, depending on the constructional features, materials and the applications for which they are to be used. They have been designed to meet the widest variety of requirements, from pumping simple products to extremely high viscosities. Including drum emptying, transfer, feed, conveying and spraying applications, especially where an easily adjustable flow rate is required. Pressures from 0 to 150 bar and flow rates from 1 to 80 l/min.

Thanks to the compressed driven air motor they are also suited for environments with potentially explosive atmospheres and in compliance with ATEX directives.



PA.A long pump



PA.A short pump



PAR short pump



PA.AP pump

## PERFORMANCE

### PA HYGIENIC SERIES

PUMPS	Pressure ratio	Recomm. max. cycles per minute	Max. flow rate l/min for viscosity of 1000 cP
PA 20 A- 45	25 : 1	150	1
* PA 30 A- 45	5 : 1	150	2
* PA 50 AM- 63	3,4 : 1	120	7,6
* PA 50 AM- 80	5,3 : 1	90	10
* PA 50 AM-200	8,4 : 1	60	7,5
PA 50 AM-230	14,6 : 1	50	10,6
PA 50 AM-250	20 : 1	50	6,2
* PA 65 AM- 80	1,6 : 1	80	20
* PA 65 AM-200	2,5 : 1	60	17
* PA 65 AM-230	4 : 1	50	24
PA 65 AM-250	6 : 1	50	14
* PA 80 AM-200	2 : 1	60	24
* PA 80 AM-230	3,3 : 1	50	33
* PA 80 AM-250	4,5 : 1	50	20
PA 80 AM-310	9 : 1	50	32
* PA 100 AM-200	1 : 1	60	37
* PA 100 AM-230	1,8 : 1	50	52
* PA 100 AM-255	2,5 : 1	50	52
* PA 100 AM-310	5 : 1	50	50
* PA 140 A-230	1,6 : 1	50	100
* PA 140 A-255	2,2 : 1	50	100
* PA 140 A-310	4 : 1	50	95

\* Available with ATEX 2G and 3G certification

### PA INDUSTRIAL SERIES

PUMPS	Pressure ratio	Recomm. max. cycles per minute	Max. flow rate l/min for viscosity of 1000 cP
* PA 40 I- 63	5,5 : 1	120	4,8
* PA 40 I- 80	8,8 : 1	90	6,4
* PA 40 I-200	14 : 1	60	4,7
PA 40 I-230	24,4 : 1	50	6,7
PA 40 I-250	33,2 : 1	50	4
* PA 50 I- 63	2,5 : 1	120	9
* PA 50 I- 80	4 : 1	90	12
* PA 50 I-200	6 : 1	60	8,8
PA 50 I-230	11 : 1	50	12,5
PA 50 I-250	15 : 1	50	7,4
* PA 65 I- 80	1,6 : 1	80	20
* PA 65 I-200	2,5 : 1	60	17
* PA 65 I-230	4 : 1	50	24
PA 65 I-250	6 : 1	50	14
* PA 80 I-200	2 : 1	60	24
* PA 80 I-230	3,3 : 1	50	33
* PA 80 I-250	4,5 : 1	50	20
PA 80 I-310	9 : 1	50	32

Available with ATEX 2G and 3G certification

### PA.AP HIGH PRESSURE SERIES

PUMPS	Pressure ratio	Recomm. max. cycles per minute	Max. flow rate l/min for viscosity of 1000 cP
PA 30AP - 63	10 : 1	80	1,6
PA 30AP - 80	16 : 1	60	2
PA 30AP -200	25 : 1	50	2
PA 30AP -235	44 : 1	50	2
PA 30AP -250	61 : 1	40	1,6
PA 40AP - 63	5,6 : 1	80	3
PA 40AP - 80	8,8 : 1	60	4
PA 40AP -200	14 : 1	50	3,7
PA 40AP -235	24 : 1	50	3,7
PA 40AP -250	33 : 1	40	3
PA 50AP -200	7,5 : 1	50	7
PA 50AP -235	13 : 1	50	7
PA 50AP -250	18 : 1	40	5,6
PA 50AP -310	34 : 1	30	6,7
PA 65AP -230	7 : 1	50	13
PA 65AP -250	9,4 : 1	40	10,5
PA 65AP -310	18 : 1	30	12,7

### PAR SERIES

PUMPS	Pressure ratio	Recomm. max. cycles per minute	Max. flow rate l/min for viscosity of 1000 cP
PAR 30 - 50	4 : 1	180	7,5
PAR 40 - 50	2 : 1	180	12
PAR 50 - 50	1 : 1	180	25
PAR 50 - 65	2 : 1	160	25
PAR 65 - 50	0,7 : 1	160	55
PAR 65 - 65	0,7 : 1	160	55

## ACCESSORIES



2" threaded clamp for drums



Double clamp



Outlet Pulsation Dampener



Wall brackets for holding and fixing pumps



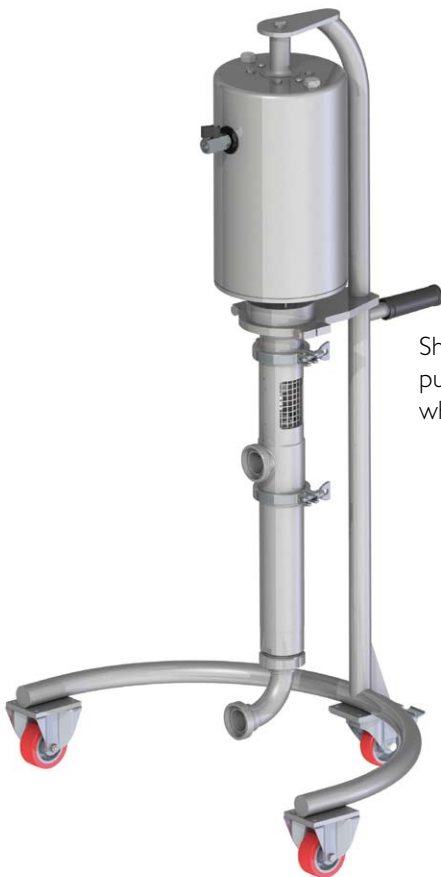
## VARIOUS OPTIONS

Air-operated piston pump with mobile lift.



With pneumatic cylinder and control panel.

Manual sliding lift model with counterweight assistance.



Short air-operated piston pump on tripod with wheels.



Short air-operated piston pump with scraper plate to empty barrels or cylindrical tanks. Excellent for high viscosity products.



Pneumatic lift to empty barrels.



Unit with double pneumatic pistons for vessels with a diameter exceeding 700 mm, including an air operated piston pump and scraper plate. For mixtures, jams, creams etc... to be transferred after processing.



Pneumatic lift with scraper plate for vessels with diameter up to 700 mm.



Distributed in the UK by....  
**Pump Engineering Limited.** Unit B1, Riverside Industrial Estate,  
 Littlehampton, West Sussex, BN17 5DF, United Kingdom  
 Tel: 01903 730900 Fax: 01903 730234  
 email: [sales@pumpeng.co.uk](mailto:sales@pumpeng.co.uk) Web: [www.pumpeng.co.uk](http://www.pumpeng.co.uk)

All the instructions, data and representations (in whatever way executed) listed in this publication are indicative and do not binding. C.S.F. does not stand surety or undertake any obligation for the utilisation of this document and for the information contained. In particular, it does not guarantee against omissions or errors of the data and drawings here indicated.  
 Notice that the technical specifications, information and representations in this document are merely indicative and approximate. C.S.F. INOX reserves the right at any moment and without notice to modify the data, drawings and information indicated in this document.